

DUMPSTER ENCLOSURE DETAILS & SPECIFICATIONS



City of Wilmer
Serving Our Community



Dumpster Enclosures

Garbage containers are required to be screened on all sides, and constructed so as to be accessible to garbage trucks. Applicants submitting site plans which include the siting of a garbage dumpster and construction of the required enclosure should be familiar with the requirements of the Zoning Ordinance and the minimum standards adopted by the City.

Applicants should consult Section 21 and the attached drawings for the requirements of dumpster enclosures.

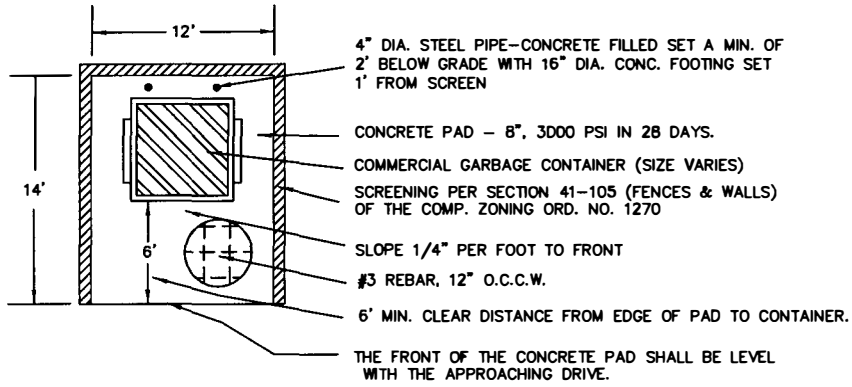
The minimum height of the screening device for garbage, trash or refuse containers is 7 feet and the maximum height is 8'- 4", except for "ML", "MH" and Industrial "PD" Districts where the maximum height of a screening device is 10 feet.

When siting a dumpster enclosure on a property, applicants should consider how easily a 32 foot long truck can enter the site, maneuver to the dumpster, access it (including at least 40 feet straight from the screening gates for backing), and either exit the site or maneuver to the next dumpster. Firelanes provide adequate maneuvering lanes, but note that enclosures can not be located within firelanes. Locations that require a truck to perform excessive backing (> 80 feet) are discouraged.

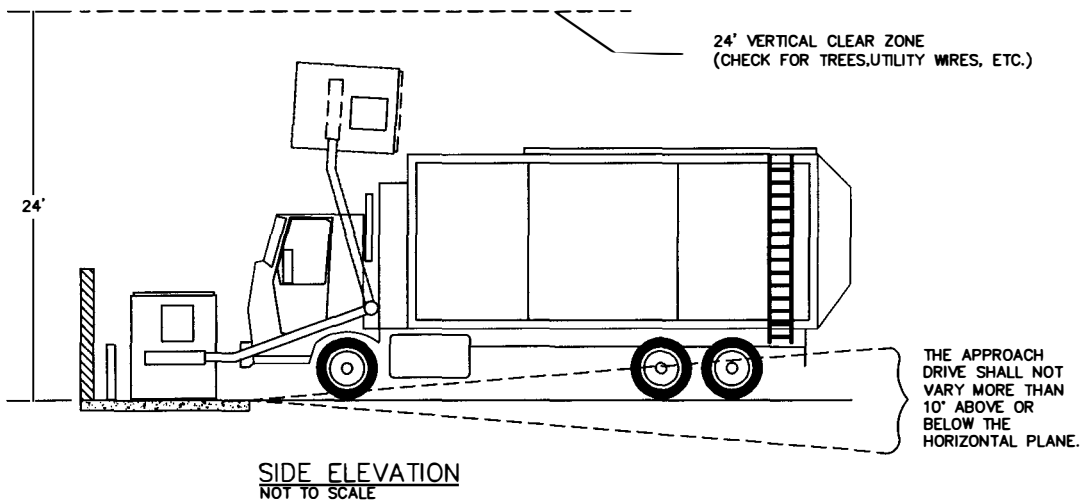
Screening gates are required to be solid metal and screen the dumpster from view when closed. Gates should swing out to an angle greater than 90% and create an opening at least 12 feet wide for the truck to enter the enclosure. Pins should hold the gates open while the dumpster is being accessed. Gates should also swing clear of all firelanes.

Buffering (landscaping) is required around screening walls wherever they abut a non-paved surface or a required landscape area. Acceptable buffering includes a row of hollies (Nellie R. Stevens, Burford, etc.) along the screening walls.

For more information about the minimum standards for dumpster enclosures, contact the Planning Department or the Building Inspections Department.

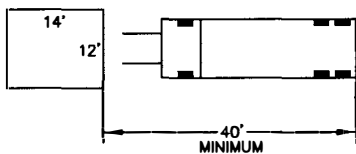


PLAN VIEW



NOTE:
IT SHALL BE THE RESPONSIBILITY OF THE OWNER TO OPEN GATES USED TO ENCLOSED CONTAINERS PRIOR TO COLLECTION.

PROPERTY OWNER/TENANT IS RESPONSIBLE FOR MAINTAINING DUMPSTER ENCLOSURES AND ADEQUATE ACCESS / EGRESS. DUMPSTER PADS MAY NOT BE LOCATED IN RIGHT OF WAY OR FIRE LANES.



HORIZONTAL CLEAR ZONE FOR TRUCKS APPROACHING A COMMERCIAL GARBAGE SHALL BE A MIN. OF 40' FROM THE FRONT OF THE PAD.



CITY OF WILMER, TEXAS
PLANNING & ENGINEERING DEPARTMENTS

DRAWN BY: C.C.R.

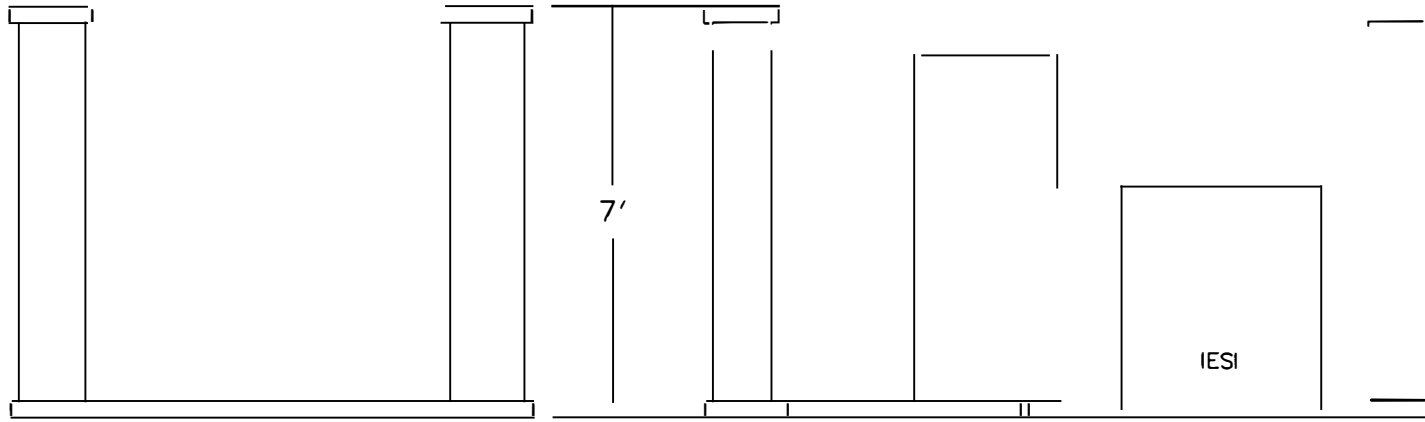
DATE: 7-16-2021

APPROVED BY: J.K.

N.T.S.

f:\engineer\engineer\details\dumpster.dwg

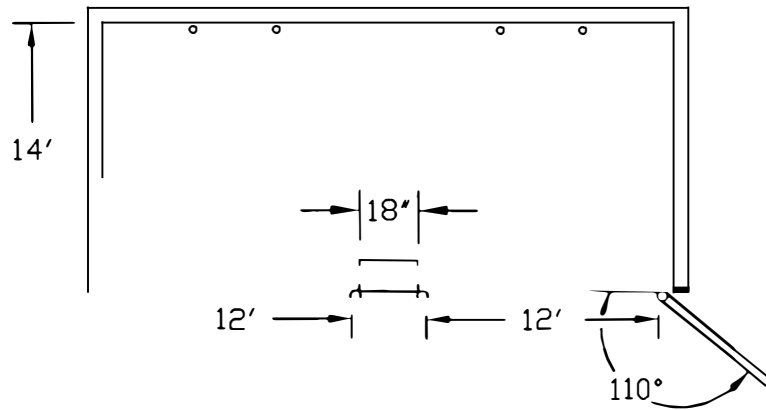
DUMPSTER ENCLOSURE DETAIL



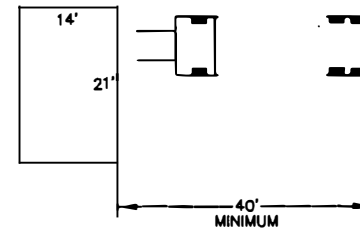
SIDE VIEW

* Min. 7' - Max. 8'-4"
 Except for "ML" & "MH" and
 Industrial "PD" Districts 10'
 is allowed


PARTIAL FRONT VIEW

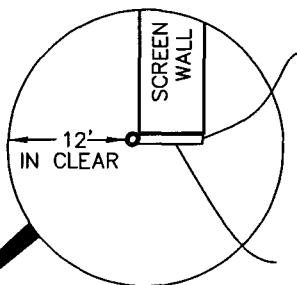
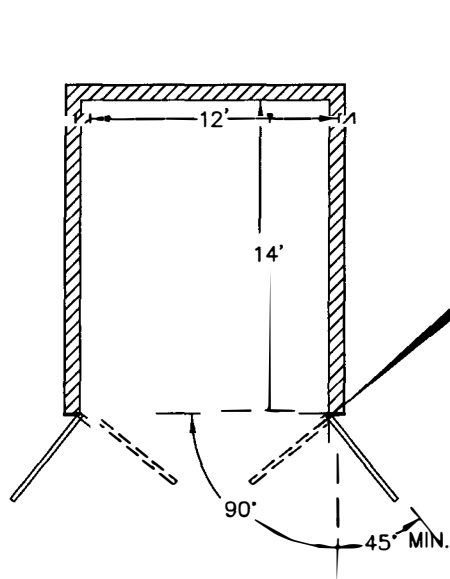


TOP VIEW



HORIZONTAL CLEAR ZONE FOR TRUCKS APPROACHING A COMMERCIAL
 GARBAGE SHALL BE A MIN. OF 40' FROM THE FRONT OF THE PAD.

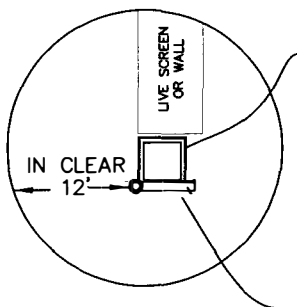
 CITY OF WILMER, TEXAS <i>City of Wilmer</i> <small>Serving Our Community</small>	
PLANNING & ENGINEERING DEPARTMENTS	
DRAWN BY: D.L.	DATE: 7/15/2021
APPROVED BY: B.J.	N.T.S.
f:\engineer\engineer\details\dumpster.dwg	
DOUBLE DUMPSTER ENCLOSURE DETAIL	



"HINGE ANCHOR PLATE"
MIN. 1/4" STEEL PLATE FOR HINGE ATTACHMENT.

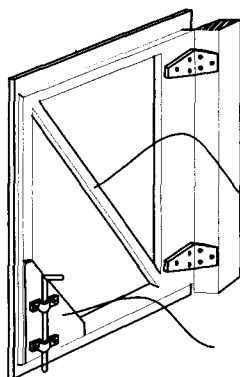
HINGE PLATE MINIMUM 3/16" STEEL;
WELDED TO HINGE ANCHOR PLATE.

OR



"HINGE ANCHOR POST"
MIN. 4" STEEL POST, SET 2 FEET DEEP IN CONCRETE FOR HINGE ATTACHMENT.

HINGE PLATE MINIMUM 3/16" STEEL;
WELDED TO HINGE ANCHOR POST.



ALL GATES SHALL BE CONSTRUCTED IN MANNER TO INSURE THAT GATE CAN SUPPORT ITS OWN WEIGHT, IN A FREE SWINGING POSITION. METAL DOORS SHALL BE PRIMED AND PAINTED.

ALL GATE SHALL HAVE CROSS MEMBER FOR BRACING.

GATE STOPS MUST BE INSTALLED ON ALL GATES TO SECURE GATE IN OPEN OR CLOSED POSITIONS.

NOTE:
ENCLOSURES CONTAINING MULTIPLE DUMPSTERS;
2-DUMPSTERS W/O CENTER POST FOR GATES
21 FT. GATE OPENING X 14 FT. DEEP

2 OR MORE DUMPSTERS-12 FT. IN CLEAR GATE
OPENINGS W/ CENTER POST X 14 FT. DEEP



CITY OF WILMER TEXAS

City of Wilmer
Serving Our Community

PLANNING & ENGINEERING DEPARTMENTS

DRAWN BY: C.C.R.

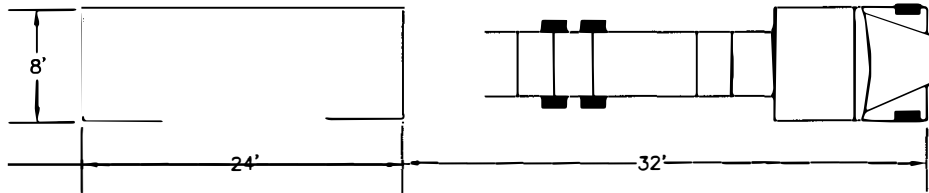
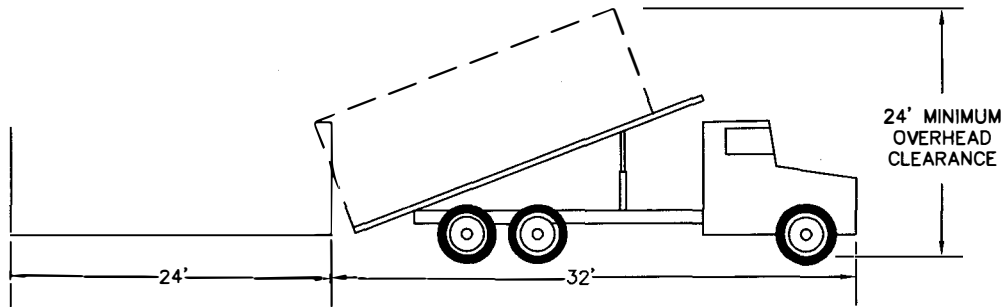
DATE: 7-15-2021

APPROVED BY: J.K.


N.T.S.

f:\engineer\engineer\details\dumpster.dwg

DUMPSTER ENCLOSURE DETAIL



NOTE:
 NEED MINIMUM CLEARANCE
 12'W X 60'L X 24'H

 CITY OF WILMER, TEXAS <small>City of Wilmer Serving Our Community</small>	
PLANNING AND ENGINEERING DEPARTMENTS	
DRAWN BY: D.L.	DATE: 7-15-2021
APPROVED BY: J.K.	N.T.S.
f:\engineer\engineer\details\dumpster.dwg	
ROLL-OFF STYLE DUMPSTERS	